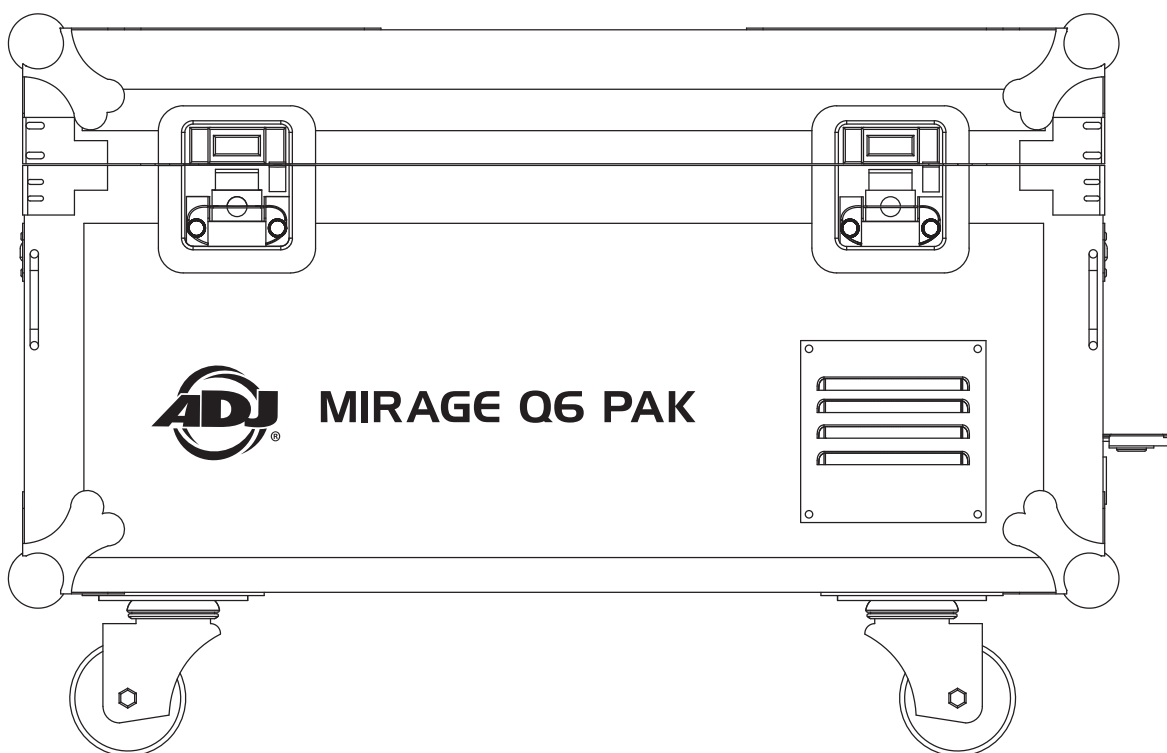




MIRAGE Q6 PAK



User Manual

©2022 ADJ Products, LLC all rights reserved. Information, specifications, diagrams, images, and instructions herein are subject to change without notice. ADJ Products, LLC logo and identifying product names and numbers herein are trademarks of ADJ Products, LLC. Copyright protection claimed includes all forms and matters of copyrightable materials and information now allowed by statutory or judicial law or hereinafter granted. Product names used in this document may be trademarks or registered trademarks of their respective companies and are hereby acknowledged. All non-ADJ Products, LLC brands and product names are trademarks or registered trademarks of their respective companies.

ADJ Products, LLC and all affiliated companies hereby disclaim any and all liabilities for property, equipment, building, and electrical damages, injuries to any persons, and direct or indirect economic loss associated with the use or reliance of any information contained within this document, and/or as a result of the improper, unsafe, insufficient and negligent assembly, installation, rigging, and operation of this product.

DOCUMENT VERSION



Due to additional product features and/or enhancements, an updated version of this document may be available online.

Please check www.adj.com for the latest revision/update of this manual before beginning installation and/or programming.

| Date | Document Version | Software Version | DMX Channels | Notes |
|------------|------------------|------------------|---|---|
| 07/22/2021 | 1.0 | V1.00 | 4 / 6 / 7 / 8 / 9A / 9B / 10 / 11 / 12 / 15 / 18 channels | Initial Release |
| 11/05/2021 | 1.1 | N/C | No Change | Updated Key Features, Safety Guidelines, Overview, Installation, In-Case Charging, System Menu, DMX Traits, Dimensional Drawing, Specifications; Removed DMX Setup. |
| 01/20/2022 | 1.2 | V1.02 | No Change | Updated System Menu, Dimensional Drawings, and Specifications. |
| 05/06/2022 | 1.3 | N/C | No Change | Updated UC IR Remote. |
| 05/12/2022 | 1.4 | V1.03 | No Change | Updated System Menu to add Saver 14 mode; updated Specifications. |
| 08/17/2022 | 1.5 | N/C | No Change | Updated Key Features, Installation. |
| 10/25/2022 | 1.6 | N/C | No Change | Updated Overview, Dimensional Drawings. |

Europe Energy Saving Notice

Energy Saving Matters (EuP 2009/125/EC)

Saving electric energy is a key to help protecting the environment. Please turn off all electrical products when they are not in use. To avoid power consumption in idle mode, disconnect all electrical equipment from power when not in use. Thank you!

TABLE OF CONTENTS

| | |
|--|----|
| General Information | 4 |
| Key Features Warranty Returns | 5 |
| Limited Warranty (USA Only) | 6 |
| Safety Guidelines | 7 |
| Overview | 9 |
| DMX Addressing | 11 |
| Wifly Setup | 12 |
| UC IR Remote | 14 |
| Installation | 15 |
| In-Case Charging | 19 |
| Control Panel | 20 |
| System Menu | 21 |
| DMX Traits | 24 |
| Color Macros | 38 |
| Color Temperature | 39 |
| Dimmer Curves | 40 |
| Cleaning & Maintenance Daisy Chain Power Linkage | 41 |
| Torque Settings | 42 |
| Fuse Replacement Battery Life | 43 |
| Dimensional Drawings | 44 |
| Specifications | 45 |

GENERAL INFORMATION

Introduction: Congratulations on your purchase of the ADJ Mirage Q6 Pak! This package includes 6 ADJ Mirage Q IP battery-operated, IP65-rated, RGBA LED chrome uplights, plus a charging flight case with storage and charging capacity for these devices. All included devices have been designed to perform reliably for years when the guidelines in this booklet are followed. Please read and understand the instructions in this manual carefully and thoroughly before attempting to operate the included devices. These instructions contain important information regarding safety during use and maintenance.

Please keep this manual with the device for future reference.

Customer Support: Contact ADJ Service for any product related service and support needs. Also visit forums.adj.com with questions, comments or suggestions.

Parts: To purchase parts online visit:

<http://parts.adj.com> (US)

<http://www.adjparts.eu> (EU)

ADJ SERVICE USA - Monday - Friday 8:00am to 4:30pm PST

Voice: 800-322-6337 | Fax: 323-582-2941 | support@adj.com

ADJ SERVICE EUROPE - Monday - Friday 08:30 to 17:00 CET

Voice: +31 45 546 85 60 | Fax: +31 45 546 85 96 | support@adj.eu

ADJ PRODUCTS LLC USA

6122 S. Eastern Ave. Los Angeles, CA. 90040

323-582-2650 | Fax 323-532-2941 | www.adj.com | info@adj.com

ADJ SUPPLY Europe B.V

Junostraat 2 6468 EW Kerkrade, The Netherlands

+31 (0)45 546 85 00 | Fax +31 45 546 85 99

www.adj.eu | info@adj.eu

ADJ PRODUCTS GROUP Mexico

AV Santa Ana 30 Parque Industrial Lerma, Lerma, Mexico 52000

+52 (728) 282-7070

WARNING! To prevent or reduce the risk of electrical shock or fire, do not expose the charging flight case to rain or moisture.

CAUTION! There are no user serviceable parts inside these units. Do not attempt any repairs yourself, as doing so will void your manufacturer's warranty. In the unlikely event your unit may require service, please contact ADJ Products, LLC.

Do not discard the shipping carton in the trash. Please recycle when ever possible.

KEY FEATURES

FIXTURE FEATURES

- IP65 Outdoor Rated
- 15 Degree Beam Angle
- 4-touch button OLED display on rear panel
- Built-in WiFLY EXR wireless DMX: Up to 2,500 feet (760M) when used with ADJ's WiFLY EXR Battery Transceiver
- 64 built-in Color Macros
- Flicker Free Operation
- Electronic Dimming: 0 - 100% with 6 dim modes and 4 dim curves
- Rechargeable Lithium-Ion Battery
- Battery Charge Time: 7 Hours
- Battery Life: 40 hours (single color)
- Motion-Activated Alarm Feature
- Kensington Key Slot

CASE FEATURES

- Houses / Transports and Charges (6) MIRAGE Q6 IP™ fixtures
- Power Input: AC100VAC~240VAC, 50/60Hz
- Charge status indicator

WARRANTY RETURNS

All returned service items, whether under warranty or not, must be freight pre-paid and accompanied by a return authorization (R.A.) number. The R.A. number must be clearly written on the outside of the return package. A brief description of the problem as well as the R.A. number must also be written down on a piece of paper included in the shipping carton. If the unit is under warranty, you must provide a copy of your proof of purchase invoice. You may obtain an R.A. number by contacting our customer support team. All packages returned to the service department not displaying an R.A. number on the outside of the package will be returned to the shipper.

LIMITED WARRANTY (USA ONLY)

- A. ADJ Products, LLC hereby warrants, to the original purchaser, ADJ Products, LLC products to be free of manufacturing defects in material and workmanship for a prescribed period from the date of purchase (see specific warranty period on reverse). This warranty shall be valid only if the product is purchased within the United States of America, including possessions and territories. It is the owner's responsibility to establish the date and place of purchase by acceptable evidence, at the time service is sought.
- B. For warranty service, you must obtain a Return Authorization number (RA#) before sending the product back—please contact ADJ Products, LLC Service Department at 800-322-6337. Send the product only to the ADJ Products, LLC factory. All shipping charges must be prepaid. If the requested repairs or service (including parts replacement) are within the terms of this warranty, ADJ Products, LLC will pay return shipping charges only to a designated point within the United States. If the entire instrument is sent, it must be shipped in its original package and packaging material. No accessories should be shipped with the product. If any accessories are shipped with the product, ADJ Products, LLC shall incur no liability whatsoever for loss of or damage to any such accessories, nor for the safe return thereof.
- C. This warranty is void if the product serial number and/or labels are altered or removed; if the product is modified in any manner which ADJ Products, LLC concludes, after inspection, affects the reliability of the product; if the product has been repaired or serviced by anyone other than the ADJ Products, LLC factory unless prior written authorization was issued to purchaser by ADJ Products, LLC; if the product is damaged because it was not properly maintained as set forth in the product instructions, guidelines and/or user manual.
- D. This is not a service contract, and this warranty does not include maintenance, cleaning, or periodic checkup. During the period specified above, ADJ Products, LLC will replace defective parts at its expense with new or refurbished parts, and will absorb all expenses for warranty service and repair labor by reason of defects in material or workmanship. The sole responsibility of ADJ Products, LLC under this warranty shall be limited to the repair of the product, or replacement thereof, including parts, at the sole discretion of ADJ Products, LLC. All products covered by this warranty were manufactured after August 15, 2012, and bear identifying marks to that effect.
- E. ADJ Products, LLC reserves the right to make changes in design and/or improvements upon its products without any obligation to include these changes in any products theretofore manufactured.
- F. No warranty, whether expressed or implied, is given or made with respect to any accessory supplied with products described above. Except to the extent prohibited by applicable law, all implied warranties made by ADJ Products, LLC in connection with this product, including warranties of merchantability or fitness, are limited in duration to the warranty period set forth above. And all warranties, whether expressed or implied, including warranties of merchantability or fitness, are limited in duration to the warranty period set forth above. The consumer's and/or dealer's sole remedy shall be such repair or replacement as is expressly provided above; and under no circumstances shall ADJ Product, LLC be liable for any loss and/or damage, direct and/or consequential arising out of the use of, and/or inability to use this product.
- G. This warranty is the only written warranty applicable to ADJ Products, LLC products, and supersedes all prior warranties and written descriptions of warranty terms and conditions heretofore published.

MANUFACTURER'S LIMITED WARRANTY PERIODS:

- Non-LED Lighting Products = 1-Year (365 Days) (Including Special Effect Lighting, Intelligent Lighting, UV lighting, Strobes, Fog Machines, Bubble Machines, Mirror Balls, Par Cans, Trussing, Lighting Stands, Power/Data Distribution, etc. excluding LED and lamps)
- Laser Products = 1-Year (365 Days) (excluding laser diodes which have a 6-Month Limited Warranty)
- LED Products = 2-Year (730 Days) (excluding batteries which have a 180 Day Limited Warranty)
- NOTE: 2-Year (730 Days) Limited Warranty ONLY applies to product purchased within the United States. StarTec Series = 1-Year (365 Days) (excluding batteries which have a 180 Day Limited Warranty)
- ADJ DMX Controllers = 2 Year (730 Days)
- American Audio Products = 1 Year (365 Days)

SAFETY GUIDELINES

For Your Own Personal Safety, Please Read and Understand This Manual Completely Before You Attempt To Install Or Operate This Unit!

- Be sure to save the packing carton in the unlikely event the device may have to be returned for service.
- Do not spill water or other liquids into or on to the charging device or flight case.
- Be sure that the local power outlet matches the required voltage for the device.
- Do not open up the device for any reason. There are no user serviceable parts inside.
- Disconnect the device's main power when left unused for long periods of time.
- Never connect this device to a dimmer pack.
- Do not attempt to operate this device if it has been damaged in any way.
- Never operate this device with the cover removed.
- To reduce the risk of electrical shock or fire, do not expose the charging device or the flight case to rain or moisture.
- Do not attempt to operate this device if the power cord has been frayed or broken.
- Do not attempt to remove or break off the ground prong from the electrical cord. This prong is used to reduce the risk of electrical shock and fire in case of an internal short.
- Disconnect from main power before making any type of connection.
- Never block the ventilation holes. Always be sure to mount this device in an area that will allow proper ventilation. Allow about 6" (15cm) between this device and a wall.
- This flight case and charging devices are intended for indoor use only. Use of these devices outdoors voids all warranties.
- Always mount this unit in a safe and stable matter.
- Please route your power cord out of the way of foot traffic. Power cords should be routed so they are not likely to be walked on, or pinched by items placed upon or against them

Operating temperature range for this fixture is 32 to 113 degrees F (0 to 45 degrees C). Do not operate this device when ambient temperature falls outside this range!

Keep flammable materials away from this fixture!

FLIGHT CASE AND CHARGING DEVICES ARE DESIGNED FOR INDOOR USE ONLY! DO NOT EXPOSE TO RAIN OR MOISTURE!

The device should be serviced by qualified service personnel when:

- A. The power-supply cord or the plug has been damaged.
- B. Objects have fallen on, or liquid has been spilled into, the device.
- C. The flight case or charging devices have been exposed to rain or water.
- D. The appliance does not appear to operate normally or exhibits a marked change in performance.

SAFETY GUIDELINES

FLIGHT CASE LID

When opening the flight case, the lid must be locked in place manually. The lid support prop is located on the right-hand side of the flight case, near the power cable storage compartment. The lower end of the prop is fixed to the flight case, and the disconnected upper end contains a cut-out groove.

Once the lid has been opened, lift the upper end of the support bar and attach it to the recessed catch on the underside of the lid, along the right-hand side. Make sure that the catch is fully seated in the support bar's groove before reaching into the flight case.

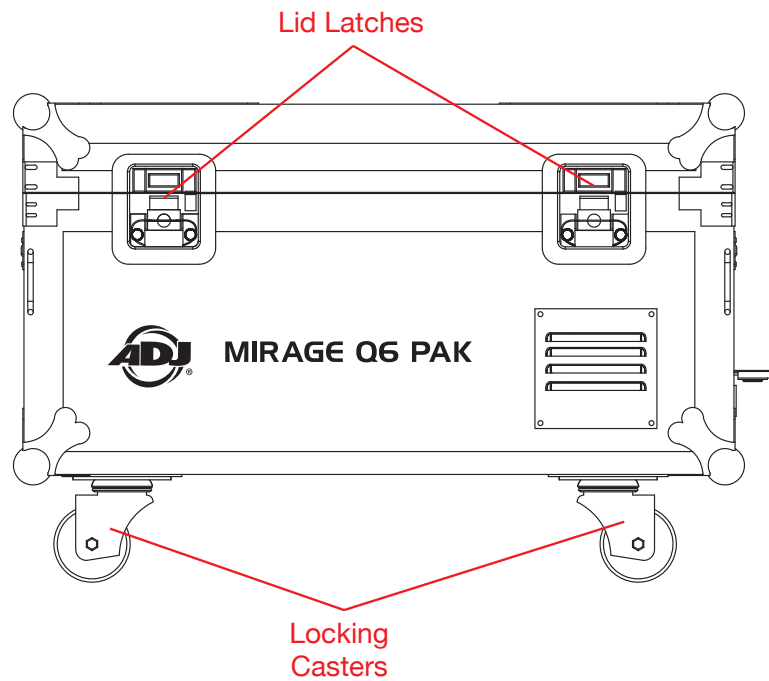
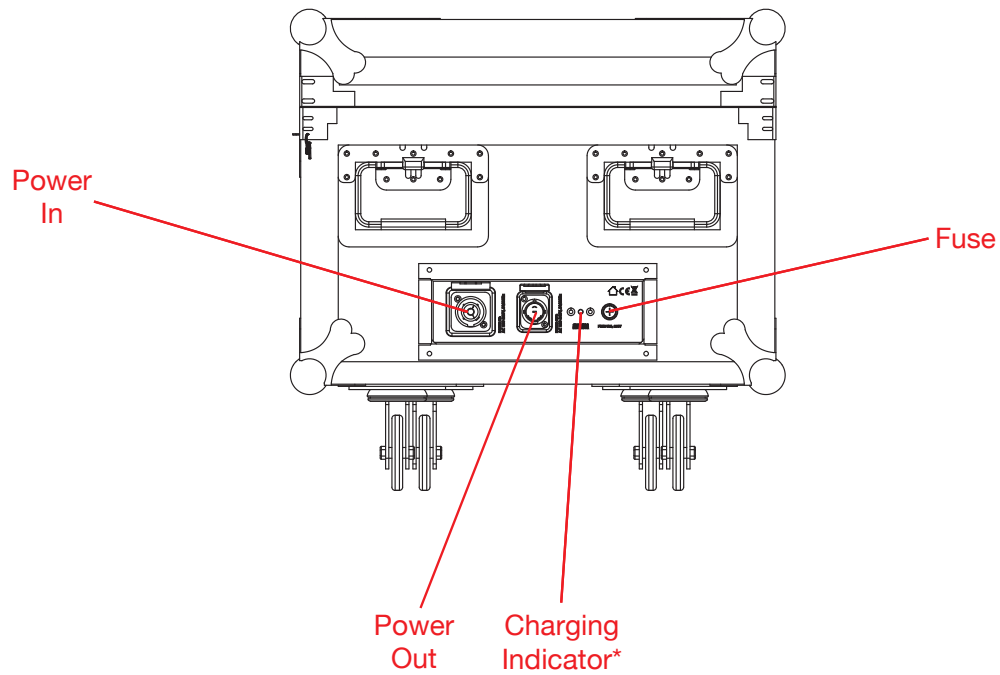
FAILURE TO PROPERLY FOLLOW THIS PROCEDURE CAN RESULT IN PERSONAL INJURY OR DAMAGE TO THE DEVICE, AS THE LID MAY SWING SHUT WITHOUT WARNING!

See the illustration below for reference.



OVERVIEW

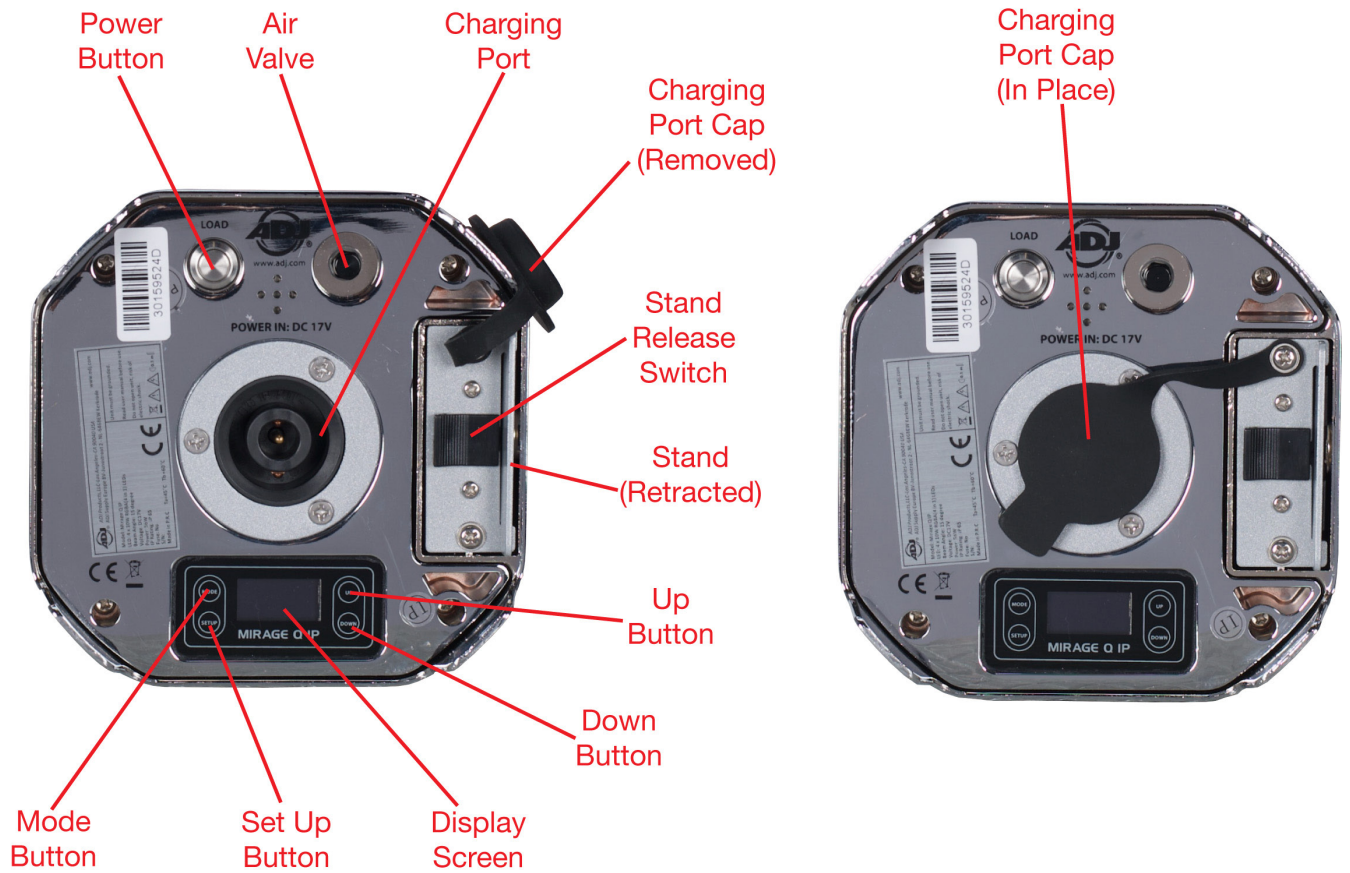
FLIGHT CASE



***Note: Charge indicator is red when charging, and green when complete. Charge indicator on the case displays charge status of the entire six-unit set. For individual charge status, please refer to the charge indicator on each individual unit.**

OVERVIEW

LIGHTING FIXTURE



DMX ADDRESSING

All fixtures should be given a DMX starting address when operating with a DMX controller, in order to ensure that the correct fixture responds to the correct control signal. This digital starting address is the channel number from which the fixture starts to “listen” to the digital control signal sent out from the DMX controller. This starting DMX address is assigned by setting the correct DMX address on the digital control display on the fixture.

You can set the same starting address for all fixtures or a group of fixtures, or set different addresses for each individual fixture. Setting all fixtures to the same DMX address will cause all fixtures to react in the same way. In this case, please note that changing the settings of one channel will affect all the fixtures simultaneously.

If you set each fixture to a different DMX address, each unit will start to “listen” to the channel number you have set, based on the quantity of DMX channels of each fixture. That means changing the settings of one channel will only affect the selected fixture.

As an example, when operating this fixture model in 4 channel mode, you should set the starting DMX address of the first unit to 1, the second unit to 5 (4 + 1), the third unit to 9 (4 + 4 + 1), and so on. (See the chart below for more details.)

| Channel Mode | Unit 1 Addr | Unit 2 Addr | Unit 3 Addr | Unit 4 Addr |
|--------------|-------------|-------------|-------------|-------------|
| 4-Ch | 1 | 5 | 9 | 13 |
| 6-Ch | 1 | 7 | 13 | 19 |
| 7-Ch | 1 | 8 | 15 | 22 |
| 8-Ch | 1 | 9 | 17 | 25 |
| 9-Ch | 1 | 10 | 19 | 28 |

| Channel Mode | Unit 1 Addr | Unit 2 Addr | Unit 3 Addr | Unit 4 Addr |
|--------------|-------------|-------------|-------------|-------------|
| 10-Ch | 1 | 11 | 21 | 31 |
| 11-Ch | 1 | 12 | 23 | 34 |
| 12-Ch | 1 | 13 | 25 | 37 |
| 15-Ch | 1 | 16 | 31 | 46 |
| 18-Ch | 1 | 19 | 37 | 55 |

WIFLY SETUP

These devices do not feature physical DMX connector ports. Therefore, in order to utilize DMX control, the user must first set up the devices to run wireless DMX control. Follow the directions below to configure wireless DMX control:

1. First, select the DMX Channel Mode for that you would like the device to operate in. Press MODE until the the “DMX Settings” menu is displayed on the screen. Use the UP and DOWN buttons to scroll to “DMX Channel Mode,” then press the SETUP button.
2. Use UP and DOWN to scroll through the DMX Channel Mode options, then press SETUP to confirm your selection.
3. Next, enable the device’s Wifly capability. Press MODE until the “Personality” menu is displayed on the screen, then use UP and DOWN to scroll to “Wifly Settings” and press SETUP.
4. Use UP and DOWN to scroll to “Enable Wifly,” then press SETUP to select this option.
5. Use UP and DOWN once again to toggle this setting to “Yes,” then confirm by pressing SETUP.
6. Next, select the Wifly channel. Press MODE until the “Personality” menu is displayed on the screen again, then use UP and DOWN to scroll to “Wifly Settings” and press SETUP.
7. Use UP and DOWN to scroll to “Set Wifly Channel,” then press SETUP again.
8. Now use UP and DOWN to scroll to your desired Wifly channel. Selectable values range from 00 to 14.
9. Finally, set the DMX address. Press the MODE button until the “DMX Settings” menu is displayed on the screen, then use UP and DOWN to scroll to “DMX Address,” then press SETUP.
10. Use the UP and DOWN buttons to scroll to your desired DMX address, then press SETUP to confirm your selection. Available values range from 001 to 512. Refer to the ***DMX Addressing*** section of this manual for detailed guidance. Repeat these steps for each individual unit that you wish to use.

WIFLY SETUP

WIRELESS SETUP

There are many factors that can affect and/or interrupt a wireless signal, including walls, glass, metal, objects, and people. Therefore, the following guidelines are recommended in order to maximize the chances of having a clear path for the wireless signal to reach the device:

- Install the device a minimum of 9.8 ft (3m) above audiences and/or ground level.
- Arrange the wireless antenna in an upright, vertical position.
- Position devices in direct line of sight of the transmitting controller.

Careful planning and testing of the selected installation location is critical to ensure optimum and reliable wireless operation.

9.8 ft (3m)
Above Ground



UC IR REMOTE

The unit can only be controlled when it has been set to **Primary mode**. The unit will **NOT** respond to commands when it has been set to **Secondary mode**. When using the UC IR to control multiple units that are operating in primary/secondary mode, follow these steps to set up the units:

1. Power on the unit, and press **MODE** to scroll to the “Personality” menu.
2. Press **SETUP**, then use the **UP** and **DOWN** buttons to scroll to “Primary” or “Secondary” depending on the how you would like this unit to operate. Press **SETUP** to make your selection, and then use the **UP** and **DOWN** buttons to switch the option to **ON**.
3. Press **SETUP** to confirm and return to the “Personality” menu.
4. Use **UP** and **DOWN** to scroll to “WiFly Settings” and select “Set WiFly Channel.” Press **SETUP** and use **UP** and **DOWN** to set the unit to your desired WiFly channel. Repeat these steps for each unit. Please note that all units should be set to the same WiFly channel.

NOTES:

- Only one unit should be configured as the primary, while all the other units should be configured as secondaries.
- All units in the system should be set to the same WiFly channel. If all units are set to the same WiFly channel, and the units do not sync up and/or respond to commands, try using a different WiFly channel.
- All units should be set to the same DMX channel mode.
- If fixtures fail to sync, verify that all settings mentioned above are the same, then power all devices off, then switch them on again to re-establish the link.

CONTROLS

- **Standby:** Turns all LEDs off.
- **Full On:** Turns all LEDs on.
- **Fade/Gobo:** Set unit to color fade mode. Use “Dimmer+” and “Dimmer-” buttons to increase or decrease fade speed.
- **Strobe:** Set unit to strobe setting. Use “Dimmer+” and “Dimmer-” buttons to increase or decrease strobe rate.
- **Color:** Set unit to static color display. Use the number keys to select one of the 64 available color options, as listed in the **Color Macros** section of this manual. Use the “Show 0” button to enter in the number 0. *For example, Macro 10 is selected by pressing the “Color” button, followed by the “1” button, and then the “Show 0” button; Macro 5 is selected by pressing the “Color” button, followed by the “5” button.*
- **1 - 9 Buttons:** Used to select the desired macro or show.
- **Sound On / Sound Off:** These buttons have no defined function for this unit.
- **Show 0:** Set the unit to Show mode. Use the number buttons to select one of the 13 available internal program options, and use the “Show 0” button to enter in the number 0.



INSTALLATION

IP RATING

The Mirage Q IP is **IP65** rated. It is completely dust tight, and is protected against low-pressure directed jets of water from any direction. **The charging devices and flight case are not IP-rated, and are intended for use in dry, indoor conditions only.**

FLAMMABLE MATERIAL WARNING!

Keep device a minimum of 5.0 feet (1.5m) away from flammable material and/or pyrotechnics.

ELECTRICAL CONNECTIONS

A qualified electrician should be used for all electrical connections and/or installations.

DO NOT INSTALL THE DEVICE IF YOU ARE NOT QUALIFIED TO DO SO!

The unit **MUST** be installed following all local, national, and country commercial electrical and construction codes and regulations.

Before installing or mounting any device, a professional equipment installer **MUST** be consulted to determine whether the mounting structure or surface is properly certified to safely support the combined weight of the fixture, clamps, cables, and accessories.

Operating temperature range is **32 to 113 degrees F (0 to 45 degrees C)**. Do not operate the device if ambient temperatures fall outside of this range.

This fixture should be installed in areas outside walking paths, seating areas, and areas where unauthorized personnel might be able to reach the device by hand.

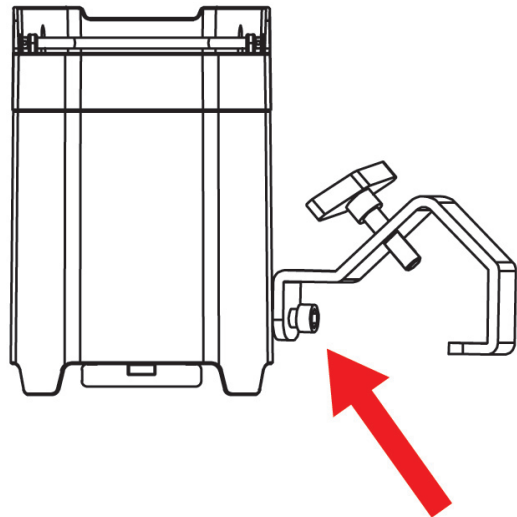
NEVER stand directly below the fixture when rigging, removing, or servicing.

Allow approximately 15 minutes for the fixture to cool down before servicing.

INSTALLATION

CLAMP INSTALLATION

The Mirage Q IP features a mounting clamp attachment point on the side of the device (see the illustration below). When mounting the fixture to a truss or any other suspended or overhead installation, be sure to secure appropriately rated clamps (not included) to the clamp attachment point.



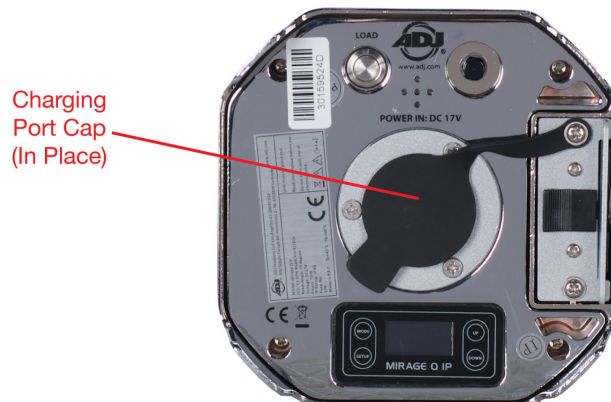
**MOUNTING CLAMP
ATTACHMENT POINT**

RIGGING

Overhead rigging requires extensive experience, including but not limited to: calculating working load limits, understanding the installation material being used, and periodic safety inspection of all installation material and the fixture itself. If you lack these qualifications, do not attempt to perform the installation yourself. Improper installation can result in bodily injury.

CHARGING PORT CAP

In order to maintain IP65 integrity, the charge port of each device must be sealed off using the attached rubber cap when the charging port is not in use.



INSTALLATION

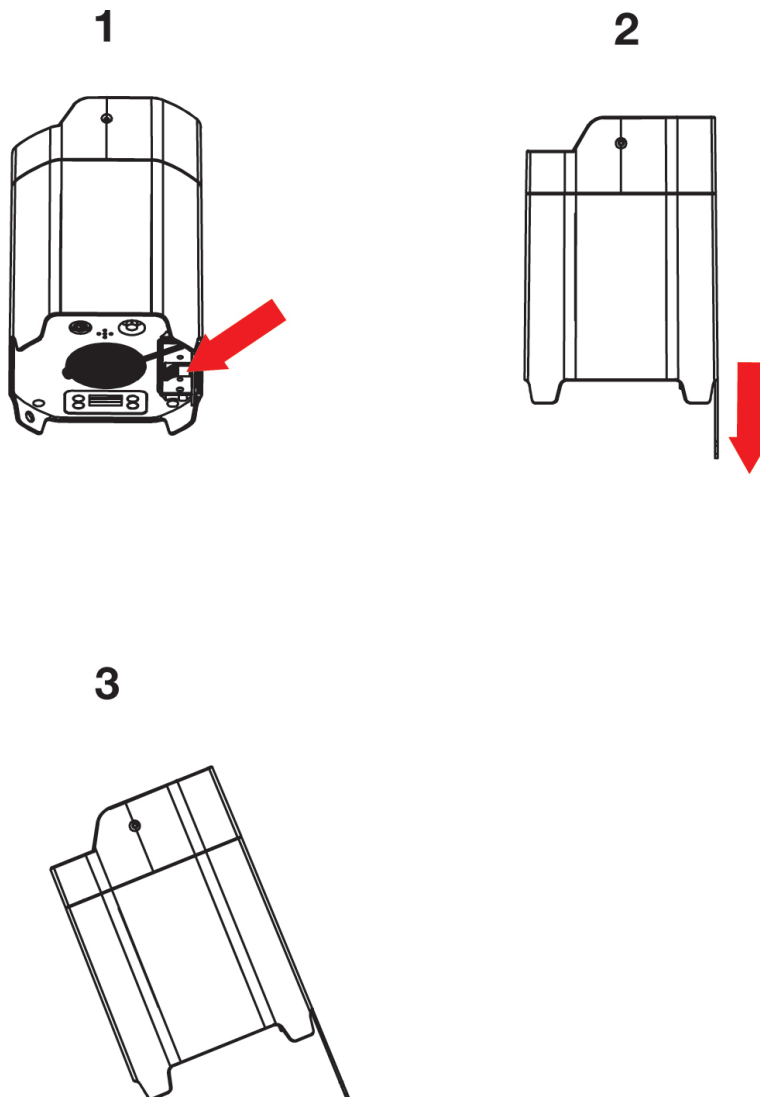
KICKSTAND FOR FLOOR PLACEMENT

The Mirage Q IP can also be placed on the floor to provide an uplighting display, and features a retractable kickstand that allows the device to be angled in the direction of the desired display.

Make sure that the rubber cap is secured over the charge port to maintain the device's IP65 rating.

To deploy the kickstand, simply toggle the switch on the underside of the device, near the power charging port (1). The kickstand can then be deployed from the underside (2) at various notched increments, allowing a maximum angle of 35 degrees from the vertical axis (3).

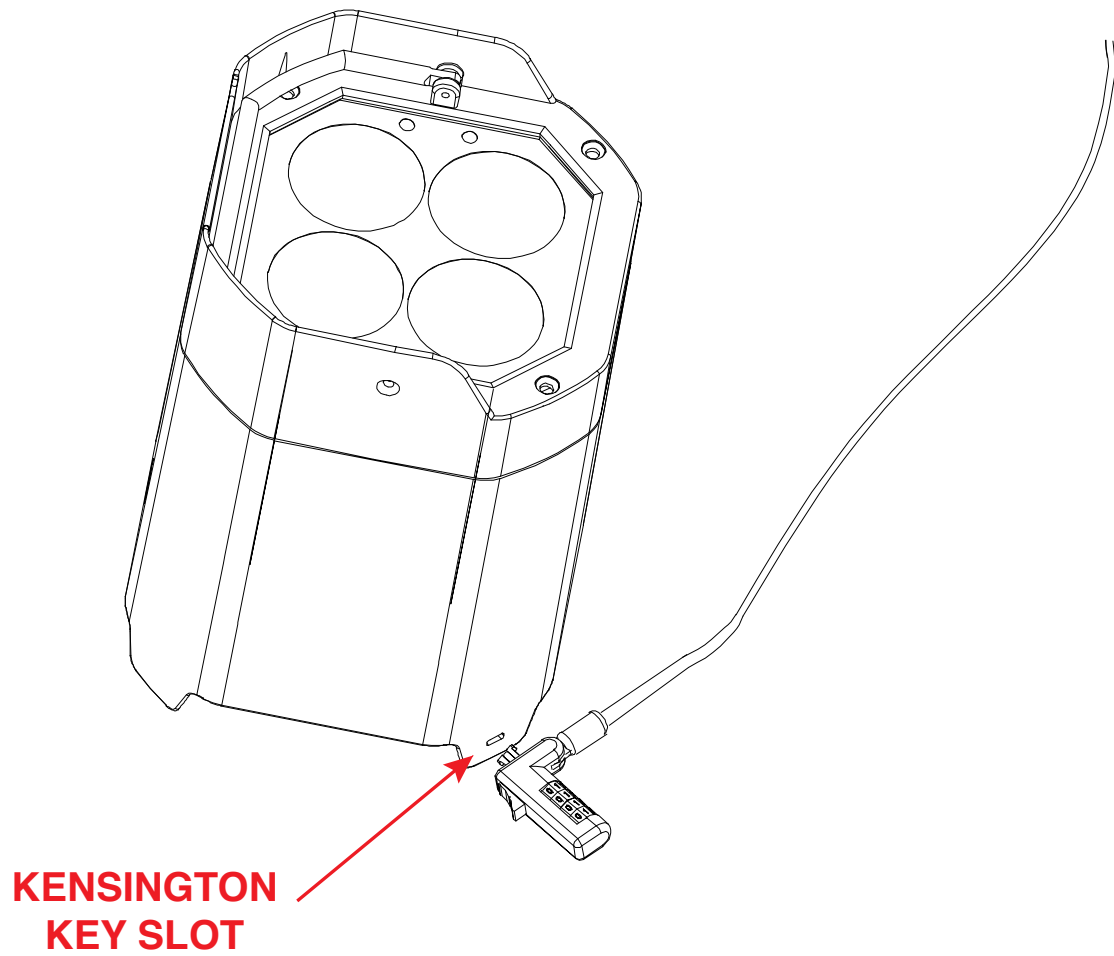
Note: If set and activated, the alarm will be triggered by any movement of the device, including knocking over the device. The alarm will sound and the device will strobe red for the amount of time that was set in the "Alarm Time" setting, but will automatically stop when the device is returned to its place. Please be aware of this feature in the event that you decide to re-locate or re-position the device after the initial setup!



INSTALLATION

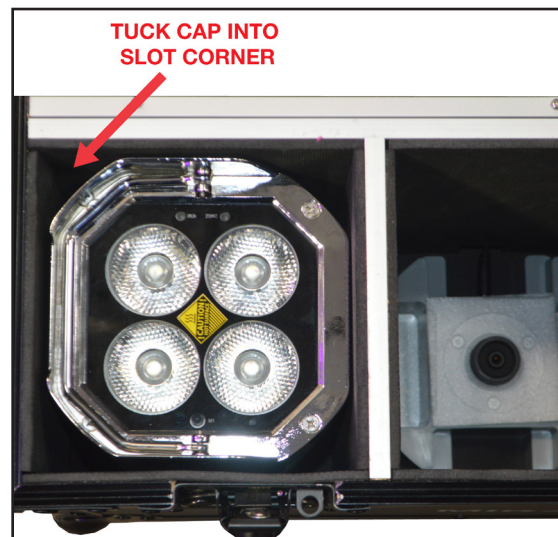
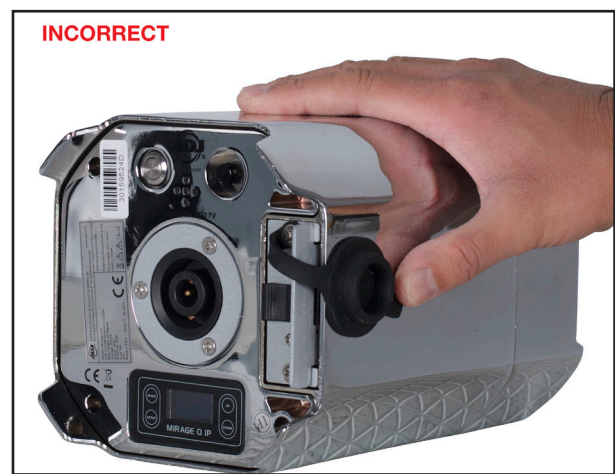
KENSINGTON KEY SLOT

The device features a slot for a Kensington-type security device that can be used to prevent theft. The key slot is located near the bottom of one of the device's feet, as shown in the illustration below. Be sure to attach the security device to a sturdy, fixed anchor point.



IN-CASE CHARGING

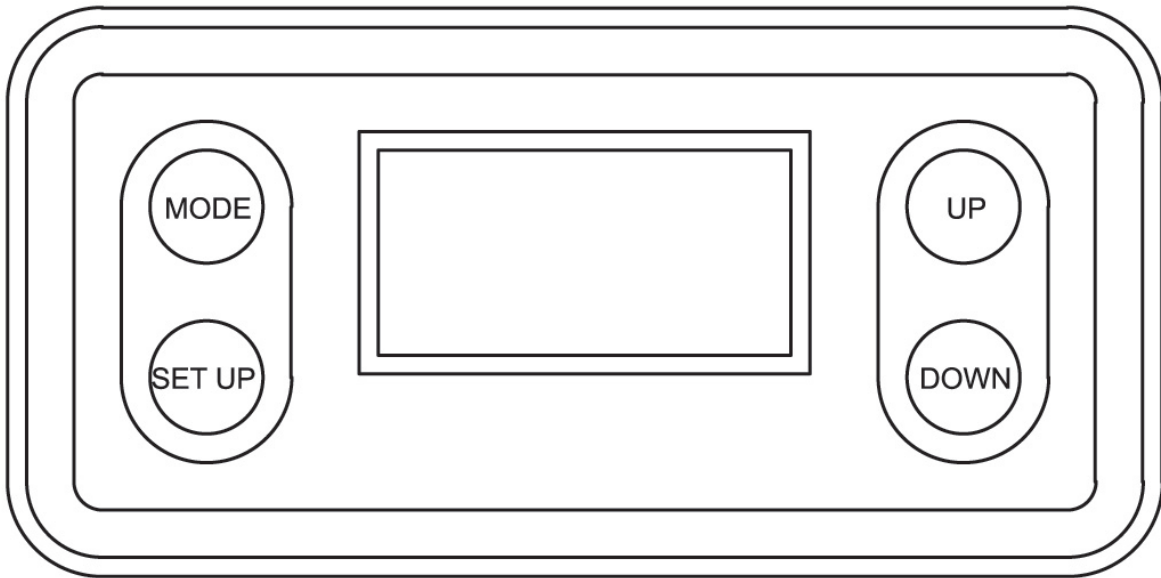
1. Lock the wheel casters by pressing down on the levers located near each caster.
2. Connect power cables to both the power in and power out ports, if desired. Please refer to the **Daisy Chain Power Linkage** section of this manual for details.
3. Remove the rubber cap from the charging port for each unit. **NOTE: It is recommended to fold the rubber cap back and over the closest CORNER of the device before placing it into its charging slot in the flight case. Refer to the top left image below.**
 - When placing the fixture in the case slot, the rubber cap should tuck neatly into the gap in the corner of the slot (see bottom image).
 - Do NOT fold the rubber caps back over the side edges of the unit, as the device will not fit in the flight case compartment this way. Refer to the top right image below.
 - Do NOT allow the rubber cap to get caught underneath the device, as this will interfere with the charging of the device.



4. Place an ADJ Mirage Q IP device in any of the device slots in the flight case. Up to 6 devices can be accommodated. The charge indicator located beside the power ports will illuminate to indicate that your device is charging. **It is strongly recommended to leave the case lid open during charging.**

CONTROL PANEL

This fixture includes an easy to navigate control panel display, from which all necessary settings and adjustments can be made. Press the **MODE** button to scroll through the main menu options, then press **SET UP** to select the currently displayed option. Then use the **UP** and **DOWN** buttons to scroll through the sub-menu options until reaching the desired setting. Press the **MODE** button at any time to return to the main menu without making any adjustments.



SYSTEM MENU

| | | | | |
|---------------------|------------------|------------------|---|---|
| DMX SETTINGS | DMX Address | 001 - 512 | | |
| | DMX Channel Mode | 4-Ch | | |
| | | 6-Ch | | |
| | | 7-Ch | | |
| | | 8-Ch | | |
| | | 9A-Ch | | |
| | | 9B-Ch | | |
| | | 10-Ch | | |
| | | 11-Ch | | |
| | | 12-Ch | | |
| | | 15-Ch | | |
| | 18-Ch | | | |
| | No DMX Status | Hold Last | | Holds last DMX values received before signal loss |
| | | Blackout | | Takes all channels to DMX value of 0 when signal is lost |
| | | Manual Settings | | All channels go to last manual settings when signal is lost |
| Internal Programs | | | Unit runs last set internal program when signal is lost | |

CONTINUED ON NEXT PAGE

SYSTEM MENU

| | | | | |
|------------------------|------------------------|---------------------|-----------------------------------|--|
| PERSONALITY | Primary | On / Off | | |
| | Secondary | On / Off | | |
| | IR Remote | On / Off | | |
| | Dim Modes | Standard | | |
| | | Stage | | |
| | | TV | | |
| | | Architectural | | |
| | | Theatre | | |
| | | Stage 2 | | |
| | | Dim Delay | 0 - 99 | |
| | Wifly Settings | Set Wifly Channel | 00 - 14 | |
| | | Enable Wifly | Yes / No | |
| | | Disable Wifly | Yes / No | |
| | | Wifly On With Power | Yes / No | Set whether Wifly automatically turns on when unit is powered on |
| | Display | Screen Saver Delay | Off, 1-10s | |
| | | Touch Screen Lock | Off | |
| | | | 30 s | |
| | | | 1 min | |
| | | Rotate Display 180 | Yes / No | |
| | Language | Passcode = 050 | English | |
| | | | Spanish | |
| | Alarm (Passcode = 011) | On / Off | | Set whether alarm will sound when unit is moved, alarm will sound and unit strobes red for selected alarm time |
| | | Alarm Time | 10s / 20s / 30s / 40s / 50s / 60s | |
| Service | Passcode = 011 | Factory Restore | Yes / No | |
| CONTINUED ON NEXT PAGE | | | | |

SYSTEM MENU

| | | | | |
|--------------------------|-------------------|---|--------|--|
| MANUAL CONTROL | Red | 000 - 255 | | |
| | Green | 000 - 255 | | |
| | Blue | 000 - 255 | | |
| | Amber | 000 - 255 | | |
| | Color Macros | 000 - 255 | | See Color Macros section for details |
| | Internal Programs | 000 - 255 | | |
| | Program Speed | 000 - 255 | | |
| | Program Fade | 000 - 255 | | |
| | Strobe | 000 - 255 | | |
| | Master Dimmer | 000 - 255 | | |
| INTERNAL PROGRAMS | Program 0 | Speed | 1 - 16 | Speed: 1 is slowest, 16 is fastest Fade: 1 is most fade, 16 is least fade |
| | | Fade | 1 - 16 | |
| | Program 1 | Speed | 1 - 16 | |
| | | Fade | 1 - 16 | |
| | ... | ... | ... | |
| | Program 13 | Speed | 1 - 16 | |
| Fade | | 1 - 16 | | |
| INFORMATION | LED Temperature | xxx F | | |
| | | xxx C | | |
| | Software Version | | | |
| BATTERY | Charging Time | xx Hours | | Time to full charge |
| | Current Life | xxx% | | Remaining life |
| | Operation Mode | Standard 6 | | Approx 6 hrs |
| | | Saver 10 | | Approx 10 hrs |
| Saver 14 | | Approx 40 hrs (when operating on a single LED) | | |

DMX TRAITS

4-Channel Mode

| CHANNEL | DMX VALUES | DESCRIPTION |
|---------|------------|-----------------------|
| 1 | 000 - 255 | Red , 0-100% |
| 2 | 000 - 255 | Green , 0-100% |
| 3 | 000 - 255 | Blue , 0-100% |
| 4 | 000 - 255 | Amber , 0-100% |

6-Channel Mode

| CHANNEL | DMX VALUES | DESCRIPTION |
|---------|------------|------------------------------------|
| 1 | 000 - 255 | Red , 0-100% |
| 2 | 000 - 255 | Green , 0-100% |
| 3 | 000 - 255 | Blue , 0-100% |
| 4 | 000 - 255 | Amber , 0-100% |
| 5 | | Strobe |
| | 000 - 031 | LEDs Off |
| | 032 - 063 | LEDs On |
| | 064 - 095 | Strobe effect, slow to fast |
| | 096 - 127 | LEDs On |
| | 128 - 159 | Pulse, effect in sequence |
| | 160 - 191 | LEDs On |
| | 192 - 223 | Random strobe effect, slow to fast |
| | 224 - 255 | LEDs On |
| 6 | 000 - 255 | Dimmer Intensity , 0-100% |

DMX TRAITS

7-Channel Mode

| CHANNEL | DMX VALUES | DESCRIPTION |
|---------|------------|--|
| 1 | 000 - 255 | Red , 0-100% |
| 2 | 000 - 255 | Green , 0-100% |
| 3 | 000 - 255 | Blue , 0-100% |
| 4 | 000 - 255 | Amber , 0-100% |
| 5 | | Strobe |
| | 000 - 031 | LEDs Off |
| | 032 - 063 | LEDs On |
| | 064 - 095 | Strobe effect, slow to fast |
| | 096 - 127 | LEDs On |
| | 128 - 159 | Pulse, effect in sequence |
| | 160 - 191 | LEDs On |
| | 192 - 223 | Random strobe effect, slow to fast |
| | 224 - 255 | LEDs On |
| 6 | 000 - 255 | Dimmer Intensity , 0-100% |
| 7 | | Dim Mode |
| | 000 - 020 | Standard |
| | 021 - 040 | Stage |
| | 041 - 060 | TV |
| | 061 - 080 | Architectural |
| | 081 - 100 | Theatre |
| | 101 - 120 | Stage 2 |
| | 121 - 140 | Dim Speed, fast to slow (0.1s - 10.0s) |
| | 141 - 255 | Default |

DMX TRAITS

8-Channel Mode

| CHANNEL | DMX VALUES | DESCRIPTION |
|---------|------------|-----------------------|
| 1 | 000 - 255 | Red , 0-100% |
| 2 | 000 - 255 | Red Fine |
| 3 | 000 - 255 | Green , 0-100% |
| 4 | 000 - 255 | Green Fine |
| 5 | 000 - 255 | Blue , 0-100% |
| 6 | 000 - 255 | Blue Fine |
| 7 | 000 - 255 | Amber , 0-100% |
| 8 | 000 - 255 | Amber Fine |

9A-Channel Mode

| CHANNEL | DMX VALUES | DESCRIPTION |
|---------|------------|------------------------------------|
| 1 | 000 - 255 | Red , 0-100% |
| 2 | 000 - 255 | Green , 0-100% |
| 3 | 000 - 255 | Blue , 0-100% |
| 4 | 000 - 255 | Amber , 0-100% |
| 5 | | Strobe |
| | 000 - 031 | LEDs Off |
| | 032 - 063 | LEDs On |
| | 064 - 095 | Strobe effect, slow to fast |
| | 096 - 127 | LEDs On |
| | 128 - 159 | Pulse, effect in sequence |
| | 160 - 191 | LEDs On |
| | 192 - 223 | Random strobe effect, slow to fast |
| | 224 - 255 | LEDs On |
| 6 | 000 - 255 | Dimmer Intensity , 0-100% |
| 7 | | Auto Programs |
| | 000 - 010 | Off |
| | 011 - 026 | Auto Program 1 |
| | 027 - 043 | Auto Program 2 |
| | 044 - 060 | Auto Program 3 |
| | 061 - 076 | Auto Program 4 |

CONTINUED ON NEXT PAGE

DMX TRAITS

9A-Channel Mode (cont'd)

| CHANNEL | DMX VALUES | DESCRIPTION |
|---------|------------|--|
| 7 | | Auto Programs (cont'd) |
| | 077 - 093 | Auto Program 5 |
| | 094 - 110 | Auto Program 6 |
| | 111 - 126 | Auto Program 7 |
| | 127 - 143 | Auto Program 8 |
| | 144 - 160 | Auto Program 9 |
| | 161 - 176 | Auto Program 10 |
| | 177 - 193 | Auto Program 11 |
| | 194 - 210 | Auto Program 12 |
| | 211 - 226 | Auto Program 13 |
| | 227 - 255 | No Function |
| 8 | 000 - 255 | Auto Program Speed , slow to fast |
| 9 | 000 - 255 | Auto Program Fade , 100% to 0% |

9B-Channel Mode

| CHANNEL | DMX VALUES | DESCRIPTION |
|---------|------------|--|
| 1 | 000 - 255 | Red , 0-100% |
| 2 | 000 - 255 | Green , 0-100% |
| 3 | 000 - 255 | Blue , 0-100% |
| 4 | 000 - 255 | Amber , 0-100% |
| 5 | 000 - 255 | Color Macros , see Color Macros section |
| 6 | 000 - 255 | Color Temperature , 2400K-9900K, see Color Temperature section |
| 7 | | Strobe |
| | 000 - 031 | LEDs Off |
| | 032 - 063 | LEDs On |
| | 064 - 095 | Strobe effect, slow to fast |
| | 096 - 127 | LEDs On |
| | 128 - 159 | Pulse, effect in sequences |
| | 160 - 191 | LEDs On |
| | 192 - 223 | Random strobe effect, slow to fast |
| | 224 - 255 | LEDs On |

CONTINUED ON NEXT PAGE

DMX TRAITS

9B-Channel Mode (cont'd)

| CHANNEL | DMX VALUES | DESCRIPTION |
|---------|------------|----------------------------------|
| 8 | 000 - 255 | Dimmer Intensity , 0-100% |
| 9 | 000 - 255 | Dimmer Fine |

10-Channel Mode

| CHANNEL | DMX VALUES | DESCRIPTION |
|---------|------------|--|
| 1 | 000 - 255 | Red , 0-100% |
| 2 | 000 - 255 | Green , 0-100% |
| 3 | 000 - 255 | Blue , 0-100% |
| 4 | 000 - 255 | Amber , 0-100% |
| 5 | 000 - 255 | Color Temperature , 2400K-9900K, see Color Temperature section |
| 6 | | Strobe |
| | 000 - 031 | LEDs Off |
| | 032 - 063 | LEDs On |
| | 064 - 095 | Strobe effect, slow to fast |
| | 096 - 127 | LEDs On |
| | 128 - 159 | Pulse, effect in sequences |
| | 160 - 191 | LEDs On |
| | 192 - 223 | Random strobe effect, slow to fast |
| | 224 - 255 | LEDs On |
| 7 | 000 - 255 | Dimmer Intensity , 0-100% |
| 8 | 000 - 255 | Dimmer Fine |
| 9 | | Dim Curves |
| | 000 - 020 | Linear |
| | 021 - 040 | Square |
| | 041 - 060 | Inv. Squa |
| | 061 - 080 | S. Curve |
| | 081 - 255 | No Function |
| 10 | | Refresh Rates |
| | 000 - 015 | Default |
| | 016 - 030 | 900 Hz |
| | 031 - 045 | 1000 Hz |

CONTINUED ON NEXT PAGE

DMX TRAITS

10-Channel Mode (cont'd)

| CHANNEL | DMX VALUES | DESCRIPTION |
|---------|------------|-------------------------------|
| 10 | | Refresh Rates (cont'd) |
| | 046 - 060 | 1100 Hz |
| | 061 - 075 | 1200 Hz |
| | 076 - 090 | 1300 Hz |
| | 091 - 105 | 1400 Hz |
| | 106 - 120 | 1500 Hz |
| | 121 - 135 | 2500 Hz |
| | 136 - 150 | 4000 Hz |
| | 151 - 165 | 5000 Hz |
| | 166 - 180 | 10,000 Hz |
| | 181 - 195 | 15,000 Hz |
| | 196 - 210 | 20,000 Hz |
| | 211 - 225 | 25,000 Hz |
| | 226 - 255 | No Function |

11-Channel Mode

| CHANNEL | DMX VALUES | DESCRIPTION |
|------------------------|------------|--|
| 1 | 000 - 255 | Red , 0-100% |
| 2 | 000 - 255 | Green , 0-100% |
| 3 | 000 - 255 | Blue , 0-100% |
| 4 | 000 - 255 | Amber , 0-100% |
| 5 | 000 - 255 | Color Macros , see Colors Macros section |
| 6 | 000 - 255 | Color Temperature , 2400K-9900K, see Color Temperature section |
| 7 | | Strobe |
| | 000 - 031 | LEDs Off |
| | 032 - 063 | LEDs On |
| | 064 - 095 | Strobe effect, slow to fast |
| | 096 - 127 | LEDs On |
| | 128 - 159 | Pulse, effect in sequences |
| | 160 - 191 | LEDs On |
| | 192 - 223 | Random strobe effect, slow to fast |
| | 224 - 255 | LEDs On |
| CONTINUED ON NEXT PAGE | | |

DMX TRAITS

11-Channel Mode (cont'd)

| CHANNEL | DMX VALUES | DESCRIPTION |
|-----------|-------------|----------------------------------|
| 8 | 000 - 255 | Dimmer Intensity , 0-100% |
| 9 | 000 - 255 | Dimmer Fine |
| 10 | | Dim Curves |
| | 000 - 020 | Linear |
| | 021 - 040 | Square |
| | 041 - 060 | Inv. Squa |
| | 061 - 080 | S. Curve |
| | 081 - 255 | No Function |
| 11 | | Refresh Rate |
| | 000 - 015 | Default |
| | 016 - 030 | 900 Hz |
| | 031 - 045 | 1000 Hz |
| | 046 - 060 | 1100 Hz |
| | 061 - 075 | 1200 Hz |
| | 076 - 090 | 1300 Hz |
| | 091 - 105 | 1400 Hz |
| | 106 - 120 | 1500 Hz |
| | 121 - 135 | 2500 Hz |
| | 136 - 150 | 4000 Hz |
| | 151 - 165 | 5000 Hz |
| | 166 - 180 | 10,000 Hz |
| | 181 - 195 | 15,000 Hz |
| | 196 - 210 | 20,000 Hz |
| 211 - 225 | 25,000 Hz | |
| 226 - 255 | No Function | |

DMX TRAITS

12-Channel Mode

| CHANNEL | DMX VALUES | DESCRIPTION |
|---------|------------|--|
| 1 | 000 - 255 | Red , 0-100% |
| 2 | 000 - 255 | Green , 0-100% |
| 3 | 000 - 255 | Blue , 0-100% |
| 4 | 000 - 255 | Amber , 0-100% |
| 5 | 000 - 255 | Color Macros , see Colors Macros section |
| 6 | 000 - 255 | Color Temperature , 2400K-9900K, see Color Temperature section |
| 7 | | Strobe |
| | 000 - 031 | LEDs Off |
| | 032 - 063 | LEDs On |
| | 064 - 095 | Strobe effect, slow to fast |
| | 096 - 127 | LEDs On |
| | 128 - 159 | Pulse, effect in sequences |
| | 160 - 191 | LEDs On |
| | 192 - 223 | Random strobe effect, slow to fast |
| | 224 - 255 | LEDs On |
| 8 | 000 - 255 | Dimmer Intensity , 0-100% |
| 9 | 000 - 255 | Dimmer Fine |
| 10 | | Dim Mode |
| | 000 - 020 | Standard |
| | 021 - 040 | Stage |
| | 041 - 060 | TV |
| | 061 - 080 | Architectural |
| | 081 - 100 | Theatre |
| | 101 - 120 | Stage 2 |
| | 121 - 140 | Dim Speed, fast to slow (0.1s - 10.0s) |
| | 141 - 255 | Default |

CONTINUED ON NEXT PAGE

DMX TRAITS

12-Channel Mode (cont'd)

| CHANNEL | DMX VALUES | DESCRIPTION |
|-----------|-------------|----------------------------|
| 11 | | <i>Dim Curves</i> |
| | 000 - 020 | Linear |
| | 021 - 040 | Square |
| | 041 - 060 | Inv. Squa |
| | 061 - 080 | S. Curve |
| | 081 - 255 | No Function |
| 12 | | <i>Refresh Rate</i> |
| | 000 - 015 | Default |
| | 016 - 030 | 900 Hz |
| | 031 - 045 | 1000 Hz |
| | 046 - 060 | 1100 Hz |
| | 061 - 075 | 1200 Hz |
| | 076 - 090 | 1300 Hz |
| | 091 - 105 | 1400 Hz |
| | 106 - 120 | 1500 Hz |
| | 121 - 135 | 2500 Hz |
| | 136 - 150 | 4000 Hz |
| | 151 - 165 | 5000 Hz |
| | 166 - 180 | 10,000 Hz |
| | 181 - 195 | 15,000 Hz |
| | 196 - 210 | 20,000 Hz |
| | 211 - 225 | 25,000 Hz |
| 226 - 255 | No Function | |

DMX TRAITS

15-Channel Mode

| CHANNEL | DMX VALUES | DESCRIPTION |
|-----------|-----------------|--|
| 1 | 000 - 255 | Red , 0-100% |
| 2 | 000 - 255 | Green , 0-100% |
| 3 | 000 - 255 | Blue , 0-100% |
| 4 | 000 - 255 | Amber , 0-100% |
| 5 | 000 - 255 | Color Macros , see Colors Macros section |
| 6 | 000 - 255 | Color Temperature , 2400K-9900K, see Color Temperature section |
| 7 | | Strobe |
| | 000 - 031 | LEDs Off |
| | 032 - 063 | LEDs On |
| | 064 - 095 | Strobe effect, slow to fast |
| | 096 - 127 | LEDs On |
| | 128 - 159 | Pulse, effect in sequences |
| | 160 - 191 | LEDs On |
| | 192 - 223 | Random strobe effect, slow to fast |
| | 224 - 255 | LEDs On |
| 8 | 000 - 255 | Dimmer Intensity , 0-100% |
| 9 | 000 - 255 | Dimmer Fine |
| 10 | | Auto Programs |
| | 000 - 010 | Off |
| | 011 - 026 | Auto Program 1 |
| | 027 - 043 | Auto Program 2 |
| | 044 - 060 | Auto Program 3 |
| | 061 - 076 | Auto Program 4 |
| | 077 - 093 | Auto Program 5 |
| | 094 - 110 | Auto Program 6 |
| | 111 - 126 | Auto Program 7 |
| | 127 - 143 | Auto Program 8 |
| | 144 - 160 | Auto Program 9 |
| | 161 - 176 | Auto Program 10 |
| 177 - 193 | Auto Program 11 | |

CONTINUED ON NEXT PAGE

DMX TRAITS

15-Channel Mode (cont'd)

| CHANNEL | DMX VALUES | DESCRIPTION |
|------------------------|------------|---|
| 10 | | Auto Programs (cont'd) |
| | 194 - 210 | Auto Program 12 |
| | 211 - 226 | Auto Program 13 |
| | 227 - 255 | No Function |
| 11 | 000 - 255 | Auto Programs Speed , slow to fast |
| 12 | 000 - 255 | Auto Programs Fade , 100% to 0% |
| 13 | | Dim Mode |
| | 000 - 020 | Standard |
| | 021 - 040 | Stage |
| | 041 - 060 | TV |
| | 061 - 080 | Architectural |
| | 081 - 100 | Theatre |
| | 101 - 120 | Stage 2 |
| | 121 - 140 | Dim Speed, fast to slow (0.1s - 10.0s) |
| | 141 - 255 | Default |
| 14 | | Dim Curves |
| | 000 - 020 | Linear |
| | 021 - 040 | Square |
| | 041 - 060 | Inv. Squa |
| | 061 - 080 | S. Curve |
| | 081 - 255 | No Function |
| 15 | | Refresh Rate |
| | 000 - 015 | Default |
| | 016 - 030 | 900 Hz |
| | 031 - 045 | 1000 Hz |
| | 046 - 060 | 1100 Hz |
| | 061 - 075 | 1200 Hz |
| | 076 - 090 | 1300 Hz |
| | 091 - 105 | 1400 Hz |
| | 106 - 120 | 1500 Hz |
| | 121 - 135 | 2500 Hz |
| CONTINUED ON NEXT PAGE | | |

DMX TRAITS

15-Channel Mode (cont'd)

| CHANNEL | DMX VALUES | DESCRIPTION |
|---------|------------|------------------------------|
| 15 | | Refresh Rate (cont'd) |
| | 136 - 150 | 4000 Hz |
| | 151 - 165 | 5000 Hz |
| | 166 - 180 | 10,000 Hz |
| | 181 - 195 | 15,000 Hz |
| | 196 - 210 | 20,000 Hz |
| | 211 - 225 | 25,000 Hz |
| | 226 - 255 | No Function |

18-Channel Mode

| CHANNEL | DMX VALUES | DESCRIPTION |
|---------|------------|--|
| 1 | 000 - 255 | Red , 0-100% |
| 2 | 000 - 255 | Red Fine |
| 3 | 000 - 255 | Green , 0-100% |
| 4 | 000 - 255 | Green Fine |
| 5 | 000 - 255 | Blue , 0-100% |
| 6 | 000 - 255 | Blue Fine |
| 7 | 000 - 255 | Amber , 0-100% |
| 8 | 000 - 255 | Amber Fine |
| 9 | 000 - 255 | Color Macros , see Color Macros section |
| 10 | 000 - 255 | Color Temperature , 2400K-9900K, see Color Temperature section |
| 11 | | Strobe |
| | 000 - 031 | LEDs Off |
| | 032 - 063 | LEDs On |
| | 064 - 095 | Strobe effect, slow to fast |
| | 096 - 127 | LEDs On |
| | 128 - 159 | Pulse, effect in sequence |
| | 160 - 191 | LEDs On |
| | 192 - 223 | Random strobe effect, slow to fast |
| | 224 - 255 | LEDs On |
| 12 | 000 - 255 | Dimmer Intensity , 0-100% |

CONTINUED ON NEXT PAGE

DMX TRAITS

18-Channel Mode (cont'd)

| CHANNEL | DMX VALUES | DESCRIPTION |
|------------------------|------------|---|
| 13 | | Auto Programs |
| | 000 - 010 | Off |
| | 011 - 026 | Auto Program 1 |
| | 027 - 043 | Auto Program 2 |
| | 044 - 060 | Auto Program 3 |
| | 061 - 076 | Auto Program 4 |
| | 077 - 093 | Auto Program 5 |
| | 094 - 110 | Auto Program 6 |
| | 111 - 126 | Auto Program 7 |
| | 127 - 143 | Auto Program 8 |
| | 144 - 160 | Auto Program 9 |
| | 161 - 176 | Auto Program 10 |
| | 177 - 193 | Auto Program 11 |
| | 194 - 210 | Auto Program 12 |
| | 211 - 226 | Auto Program 13 |
| | 227 - 255 | No Function |
| 14 | 000 - 255 | Auto Programs Speed , slow to fast |
| 15 | 000 - 255 | Auto Programs Fade , 100% to 0% |
| 16 | | Dim Mode |
| | 000 - 020 | Standard |
| | 021 - 040 | Stage |
| | 041 - 060 | TV |
| | 061 - 080 | Architectural |
| | 081 - 100 | Theatre |
| | 101 - 120 | Stage 2 |
| | 121 - 140 | Dim Speed, fast to slow (0.1s - 10.0s) |
| | 141 - 255 | Default |
| CONTINUED ON NEXT PAGE | | |

DMX TRAITS

18-Channel Mode (cont'd)

| CHANNEL | DMX VALUES | DESCRIPTION |
|-----------|-------------|----------------------------|
| 17 | | <i>Dim Curves</i> |
| | 000 - 020 | Linear |
| | 021 - 040 | Square |
| | 041 - 060 | Inv. Squa |
| | 061 - 080 | S. Curve |
| | 081 - 255 | No Function |
| 18 | | <i>Refresh Rate</i> |
| | 000 - 015 | Default |
| | 016 - 030 | 900 Hz |
| | 031 - 045 | 1000 Hz |
| | 046 - 060 | 1100 Hz |
| | 061 - 075 | 1200 Hz |
| | 076 - 090 | 1300 Hz |
| | 091 - 105 | 1400 Hz |
| | 106 - 120 | 1500 Hz |
| | 121 - 135 | 2500 Hz |
| | 136 - 150 | 4000 Hz |
| | 151 - 165 | 5000 Hz |
| | 166 - 180 | 10,000 Hz |
| | 181 - 195 | 15,000 Hz |
| | 196 - 210 | 20,000 Hz |
| | 211 - 225 | 25,000 Hz |
| 226 - 255 | No Function | |

COLOR MACROS

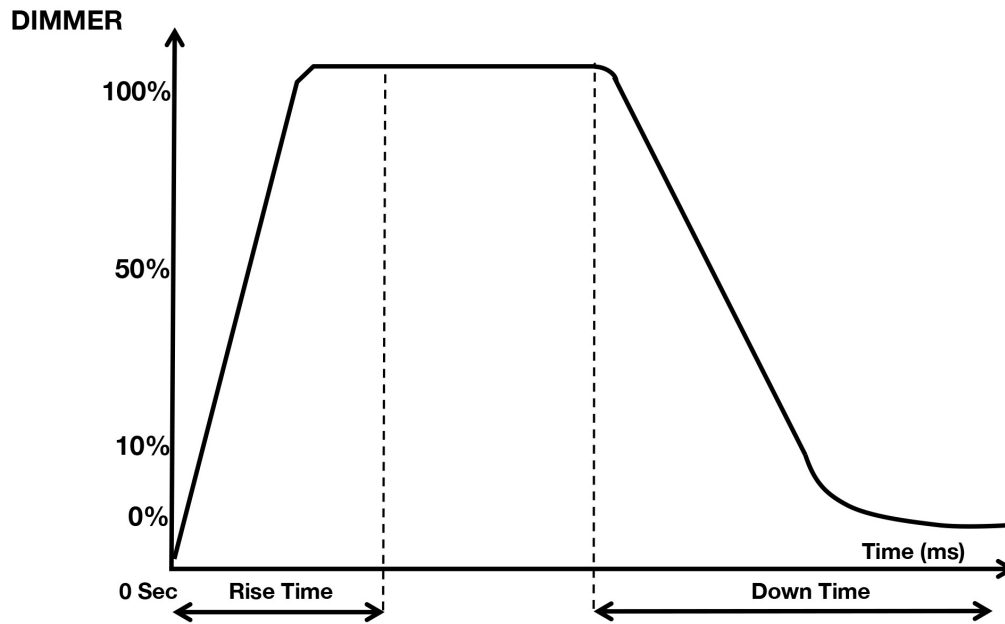
| Macro No. | DMX Value | Red | Green | Blue | W/A |
|-----------|-----------|-----|-------|------|-----|
| OFF | 000 | 0 | 0 | 0 | 0 |
| 1 | 001-004 | 80 | 255 | 234 | 80 |
| 2 | 005-008 | 80 | 255 | 164 | 80 |
| 3 | 009-012 | 77 | 255 | 112 | 77 |
| 4 | 013-016 | 117 | 255 | 83 | 83 |
| 5 | 017-020 | 160 | 255 | 77 | 77 |
| 6 | 021-024 | 223 | 255 | 83 | 83 |
| 7 | 025-028 | 255 | 243 | 77 | 77 |
| 8 | 029-032 | 255 | 200 | 74 | 74 |
| 9 | 033-036 | 255 | 166 | 77 | 77 |
| 10 | 037-040 | 255 | 125 | 74 | 74 |
| 11 | 041-044 | 255 | 97 | 77 | 74 |
| 12 | 045-048 | 255 | 71 | 77 | 71 |
| 13 | 049-052 | 255 | 83 | 134 | 83 |
| 14 | 053-056 | 255 | 93 | 182 | 93 |
| 15 | 057-060 | 255 | 96 | 236 | 96 |
| 16 | 061-064 | 238 | 93 | 255 | 93 |
| 17 | 065-068 | 196 | 87 | 255 | 87 |
| 18 | 069-072 | 150 | 90 | 255 | 90 |
| 19 | 073-076 | 100 | 77 | 255 | 77 |
| 20 | 077-080 | 77 | 100 | 255 | 77 |
| 21 | 081-084 | 67 | 148 | 255 | 67 |
| 22 | 085-088 | 77 | 195 | 255 | 77 |
| 23 | 089-092 | 77 | 234 | 255 | 77 |
| 24 | 093-096 | 158 | 255 | 144 | 144 |
| 25 | 097-100 | 255 | 251 | 153 | 153 |
| 26 | 101-104 | 255 | 175 | 147 | 147 |
| 27 | 105-108 | 255 | 138 | 186 | 138 |
| 28 | 109-112 | 255 | 147 | 251 | 147 |
| 29 | 113-116 | 151 | 138 | 255 | 138 |
| 30 | 117-120 | 99 | 0 | 255 | 100 |
| 31 | 121-124 | 138 | 169 | 255 | 138 |
| 32 | 125-128 | 255 | 255 | 255 | 255 |
| 33 | 129-132 | 255 | 206 | 143 | 0 |

| Macro No. | DMX Value | Red | Green | Blue | W/A |
|-----------|-----------|-----|-------|------|-----|
| 34 | 133-136 | 254 | 177 | 153 | 0 |
| 35 | 137-140 | 254 | 192 | 138 | 0 |
| 36 | 141-144 | 254 | 165 | 98 | 0 |
| 37 | 145-148 | 254 | 121 | 0 | 0 |
| 38 | 149-152 | 176 | 17 | 0 | 0 |
| 39 | 153-156 | 96 | 0 | 11 | 0 |
| 40 | 157-160 | 234 | 139 | 171 | 0 |
| 41 | 161-164 | 224 | 5 | 97 | 0 |
| 42 | 165-168 | 175 | 77 | 173 | 0 |
| 43 | 169-172 | 119 | 130 | 199 | 0 |
| 44 | 173-176 | 147 | 164 | 212 | 0 |
| 45 | 177-180 | 88 | 2 | 163 | 0 |
| 46 | 181-184 | 0 | 38 | 86 | 0 |
| 47 | 185-188 | 0 | 142 | 208 | 0 |
| 48 | 189-192 | 52 | 148 | 209 | 0 |
| 49 | 193-196 | 1 | 134 | 201 | 0 |
| 50 | 197-200 | 0 | 145 | 212 | 0 |
| 51 | 201-204 | 0 | 121 | 192 | 0 |
| 52 | 205-208 | 0 | 129 | 184 | 0 |
| 53 | 209-212 | 0 | 83 | 115 | 0 |
| 54 | 213-216 | 0 | 97 | 166 | 0 |
| 55 | 217-220 | 1 | 100 | 167 | 0 |
| 56 | 221-224 | 0 | 40 | 86 | 0 |
| 57 | 225-228 | 209 | 219 | 182 | 0 |
| 58 | 229-232 | 42 | 165 | 85 | 0 |
| 59 | 233-236 | 0 | 46 | 35 | 0 |
| 60 | 237-240 | 8 | 107 | 222 | 0 |
| 61 | 241-244 | 255 | 0 | 0 | 0 |
| 62 | 245-248 | 0 | 255 | 0 | 0 |
| 63 | 249-252 | 0 | 0 | 255 | 0 |
| 64 | 253-255 | 0 | 0 | 0 | 255 |

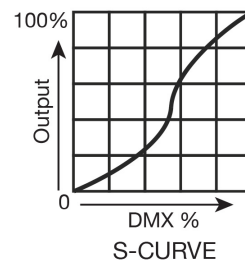
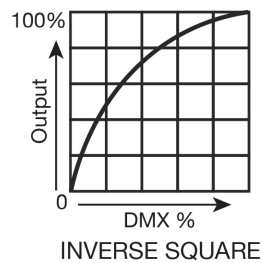
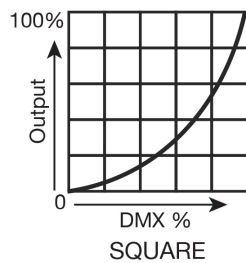
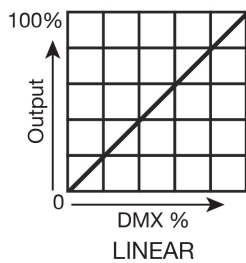
COLOR TEMPERATURE

| Color Temp | DMX Value |
|-------------------|------------------|
| No Function | 000 - 015 |
| 2400K | 016 - 031 |
| 2600K | 032 - 047 |
| 2900K | 048 - 063 |
| 3200K | 064 - 079 |
| 3600K | 080 - 095 |
| 3900K | 096 - 111 |
| 4300K | 112 - 127 |
| 4500K | 128 - 143 |
| 4900K | 144 - 159 |
| 5300K | 160 - 175 |
| 5900K | 176 - 191 |
| 6700K | 192 - 207 |
| 7500K | 208 - 223 |
| 8700K | 224 - 239 |
| 9900K | 240 - 255 |

DIMMER CURVES



| Dimming Curve Ramp Effect | 0 sec Fade Time | | 1 sec Fade Time | |
|------------------------------|-----------------|----------------|-----------------|----------------|
| | Rise Time (ms) | Down Time (ms) | Rise Time (ms) | Down Time (ms) |
| Standard (default) | 0 | 0 | 0 | 0 |
| Stage | 780 | 1100 | 1540 | 1660 |
| TV | 1180 | 1520 | 1860 | 1940 |
| Architectural | 1380 | 1730 | 2040 | 2120 |
| Theatre | 1580 | 1940 | 2230 | 2280 |
| Stage 2 | 0 | 1100 | 0 | 1660 |



CLEANING & MAINTENANCE

WARNING! DISCONNECT UNIT FROM POWER BEFORE PERFORMING ANY CLEANING OR MAINTENANCE PROCEDURES!

ALWAYS ALLOW THE FIXTURE TO COOL FOR AT LEAST 15 MINUTES BEFORE PERFORMING ANY CLEANING OR MAINTENANCE!

CLEANING

Frequent cleaning is recommended to ensure proper function, optimized light output, and an extended life. The frequency of cleaning depends on the environment in which the fixture operates: damp, smoky, or particularly dirty environments can cause greater accumulation of dirt on the fixture's optics. Clean periodically with a soft cloth to avoid dirt/debris accumulation.

NEVER use alcohol, solvents, or ammonia-based cleaners.

MAINTENANCE

Regular inspections are recommended to ensure proper function and extended life. There are no user serviceable parts inside this fixture. Please refer all other service issues to an authorized ADJ service technician. Should you need any spare parts, please order genuine parts from an authorized ADJ dealer.

Please refer to the following points during routine inspections:

- A detailed electrical check by an approved electrical engineer every three months, to make sure the circuit contacts are in good condition and prevent overheating.
- Be sure all screws and fasteners are securely tightened at all times. Loose screws may fall out during normal operation, resulting in damage or injury as larger parts could fall.
- Check for any deformations on the housing, color lenses, rigging hardware and rigging points (ceiling, suspension, trussing). Deformations in the housing could allow for dust to enter into the fixture. Damaged rigging points or unsecured rigging could cause the fixture to fall and seriously injure a person(s).
- Electric power supply cables must not show any damage, material fatigue or sediments.

DAISY CHAIN POWER LINKAGE

This feature allows multiple flight cases to be linked together by way of the power input and output sockets. The maximum number of devices that can be connected in this manner is as follows:

- 4 flight cases using a 15-Amp plug.
- 5 flight cases using a 20-Amp plug.

After this quantity has been reached, a new power outlet must be used to accommodate additional devices.

It is recommended to leave the case lids open when charging in order to avoid the accumulation of excess heat inside the cases.

Linked devices must be of the same make and model type. **DO NOT** mix devices!

TORQUE SETTINGS

IN ORDER TO MAINTAIN THE IP65 RATING ON THE LIGHTING FIXTURES, ALL SCREWS MUST BE TIGHTENED TO THE FOLLOWING TORQUE SPECIFICATION USING A TORQUE DRIVER.

These screws must be torqued to **11.3 lb-in (13.0 kg-cm)**.

TORQUE DRIVERS (Recommended): UTICA TS-30 (shown)

ALTERNATE DRIVERS:

- Proto J6107A
- Wiha 28887

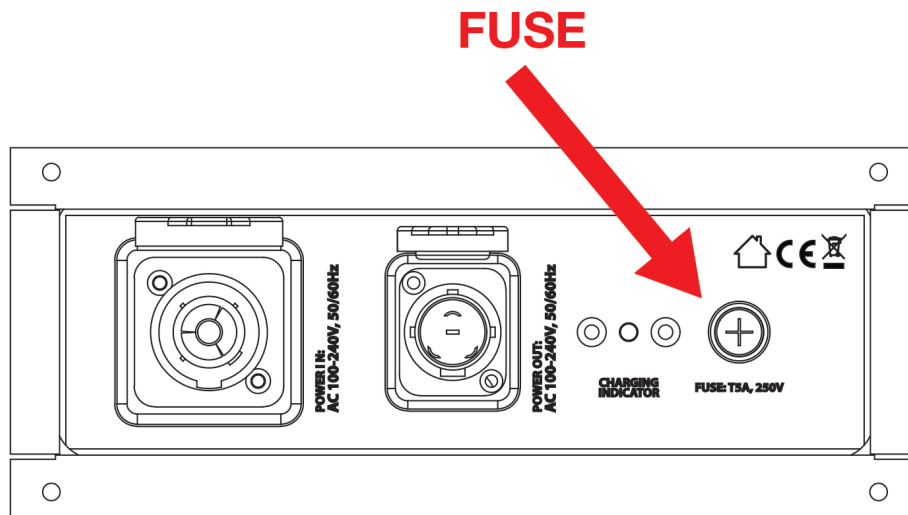


CAUTION! DO NOT OVER TORQUE SCREWS AS THIS CAN CAUSE LEAKAGE ISSUES! TO CONFIRM THE IP65 INTEGRITY AFTER A LAMP REPLACEMENT, TEST THE FIXTURE USING THE ELATION IP TESTER. CONTACT ELATION SERVICE FOR MORE DETAILS.



FUSE REPLACEMENT

The flight case features a replaceable fuse. To replace, disconnect the flight case from the power source, then use a screw driver to unscrew the fuse holder located beside the power ports. Remove the bad fuse and replace with a new one, then screw the fuse holder back in. Replace only with a new fuse of the same type and rating.

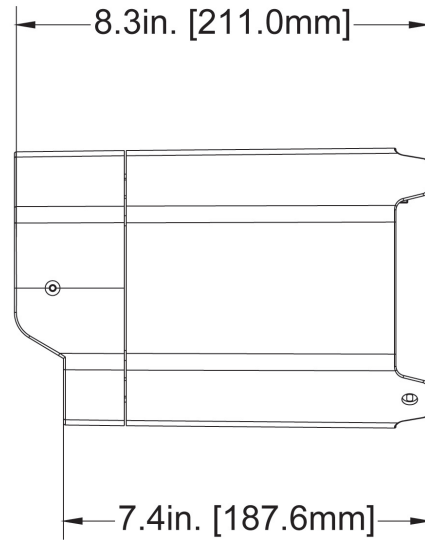
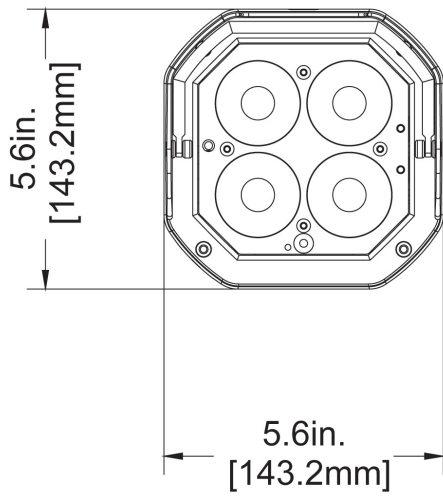
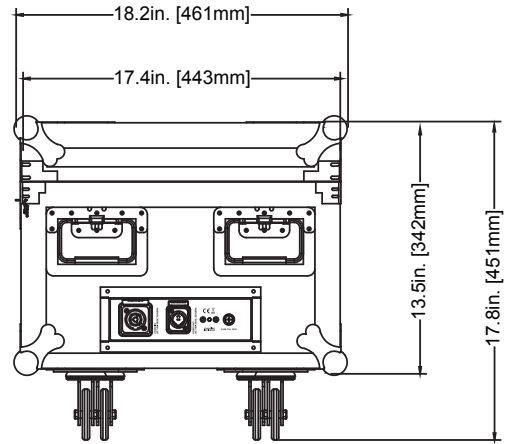
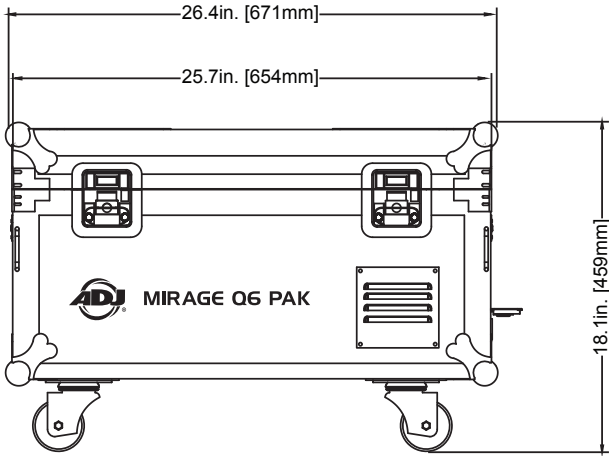


BATTERY LIFE

Following any software update, the battery life information setting must be reset before it will display accurate information. This can be done by following the steps below:

1. Navigate to Battery > Operation Mode in the system menu and make sure that the device is set to either Standard 6 or Saver 10.
2. Navigate to Battery > Current Life in the system menu.
3. Press and hold the UP button until the device flashes amber once. The device should now display an accurate battery life reading.

DIMENSIONAL DRAWINGS



Dimensions may not be drawn to scale.

SPECIFICATIONS

MIRAGE Q6 PAK

PAK FEATURES

Houses / Transports and Charges (6) MIRAGE Q6 IP™ fixtures

PAK DIMENSIONS / WEIGHT (loaded case with 6 fixtures)

Length: 26.4" (671mm)

Width: 18.2" (461mm)

Vertical Height: 18.1" (459mm)

Loaded Weight: 97.9 lbs. (44.4 kg)

PAK ELECTRICAL / THERMAL

Power Input: AC100VAC~240VAC, 50/60Hz

IP65 Power Locking Input and Output

Max Power Consumption: 400 Watts

Power Draw: 4A

Charge status indicator

14°F to 113°F (-10°C to 45°C)

PAK INCLUDED ITEMS

(6) MIRAGE Q6 IP Fixtures

(1) MIRAGE Q6 FC Flight Case

(6) MIRAGE Q6 IPCB Charging bases and power supplies

(1) UC-IR Wireless Infrared Controller

(1) IP65 Locking Power Cable

MIRAGE Q6 IP FIXTURE

FIXTURE SOURCE

4 x 10-Watt RGBA LEDs (4-in-1 - Red, Green, Blue & Amber)

50,000 Hour Average Life*

*May vary depending on several factors including but not limited to:

Environmental Conditions, Power/Voltage, Usage Patterns (On-Off Cycling), Control, and Dimming.

PHOTOMETRIC DATA

LUX: 9903 @ 2M; 2303 @ 4M

FIXTURE OPTICS

11 Degree beam angle

FIXTURE CONTROL / CONNECTIONS:

Control protocol: WiFLY EXR DMX

11 DMX Channel modes: 4, 6, 7, 8, 9A, 9B, 10, 11, 12, 15 or 18 channels

Remote control: WiFLY EXR DMX, UC-IR (Included), Airstream IR

5 Operation modes: RGBA Dimmer Mode; Auto Run Mode (13 programs, & 1 color/fade combo mode); Static Color mode; and Wireless DMX Control

With Wired Digital Communication Network

Contact Charging system. 6x Charging bases and power supplies included in flight case

FIXTURE FEATURES:

IP65 Outdoor Rated

Built-in kickstand to angle fixture when sitting on the floor

4-touch button OLED display on rear panel

Built-in WiFLY EXR wireless DMX: Up to 2,500 feet (760M)

when used with ADJ's WiFLY EXR

Battery Transceiver

64 built-in Color Macros

Variable RGBA color mixing offers a smooth, seemingly unlimited color palette - Great for Wall Washing!

LED pulse and strobe effect (0.2Hz-11Hz)

Flicker Free Operation

Electronic Dimming: 0 - 100% with 6 dim modes and 4 dim curves

Run all night - No duty cycle

Energy Save Mode

Built-in alarm system with On/Off

Battery charge indicator on each fixture

Die-cast aluminum housing

FIXTURE BATTERY

Battery Type: Fixed lithium battery

Battery Energy: 162.8WH (Watt Hours)

Battery Weight: 0.84 kg.

Battery Voltage: 14.8V

Battery Capacity: 11000mAh (Typical Capacity)

Total Lithium Ion Cells: 20 pieces

Battery Wrap Material: PVC sleeving + highland barley paper

Battery Charge Time: 7 Hours

Battery Life: 14 hours (color changing in Battery Saver Mode 14); 40 hours (single color in Battery Saver Mode 14); **Note**

that Battery Saver Mode 14 is available in software V1.03

FIXTURE DIMENSIONS / WEIGHT (SINGLE UNIT)

Dimensions

Length: 5.6" (143.2mm)

Width: 5.6" (143.2mm)

Vertical Height: 8.3" (211.0mm)

Weight: 8.84 lbs. (4.01 kg.)

FIXTURE ELECTRICAL / THERMAL

Power Input: DC 17.3V

Amperage Draw: 2A

40W Max Power Consumption (each unit)

14°F to 113°F (-10°C to 45°C)

FIXTURE CERTIFICATIONS

ETL Approved (Pending)

CE Approved

INSTALLATION

Rigging: Clamps (Not Included) / Floor

Working Position: Any (360°)

Specifications subject to change without prior written notice.

